
 Rev: 07/01/20	UNDERGROUND APPARATUS SECTIONALIZING CABINET	1542
		Sheet 1 of 1

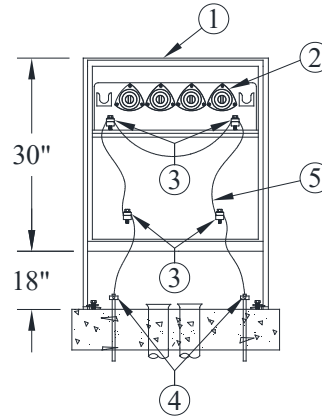
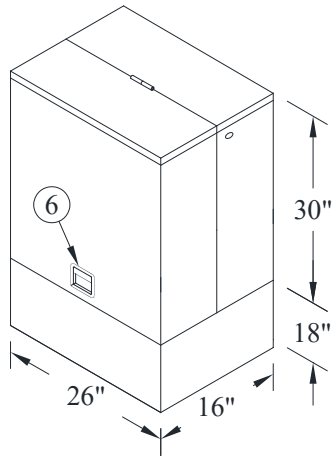
# 1542

## SECTIONALIZING CABINET

### CONTAINS

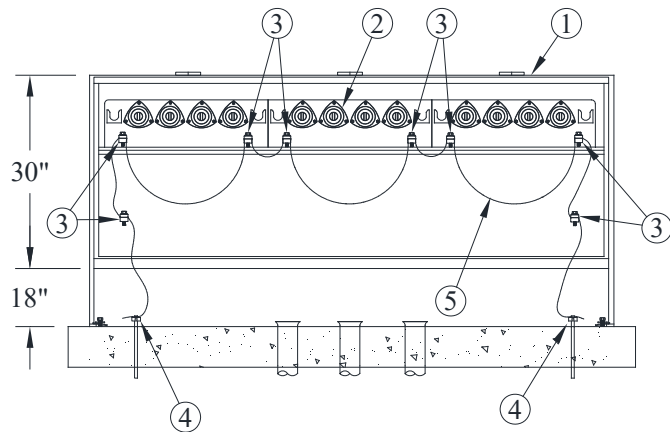
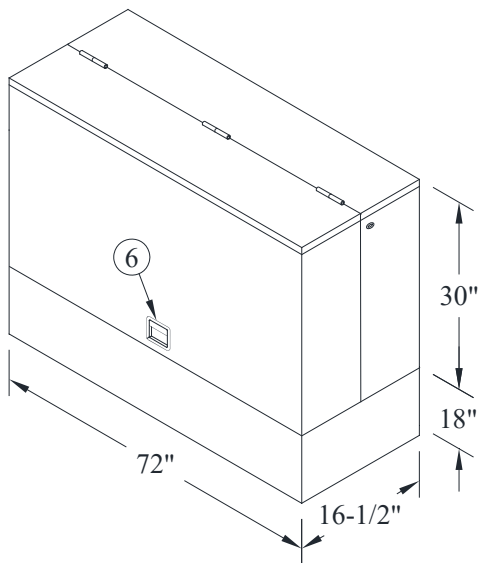
- 1542-01 SECTIONALIZING CABINET 15KV**
- 1542-03 SECTIONALIZING CABINET 15KV ASSY**

1542-01	<b>UNDERGROUND APPARATUS</b> <b>SECTIONALIZING CABINET</b>	
Sheet 1 of 2		Rev: 07/01/20
<b>SECTIONALIZING CABINET LD BREAK 15KV</b>		



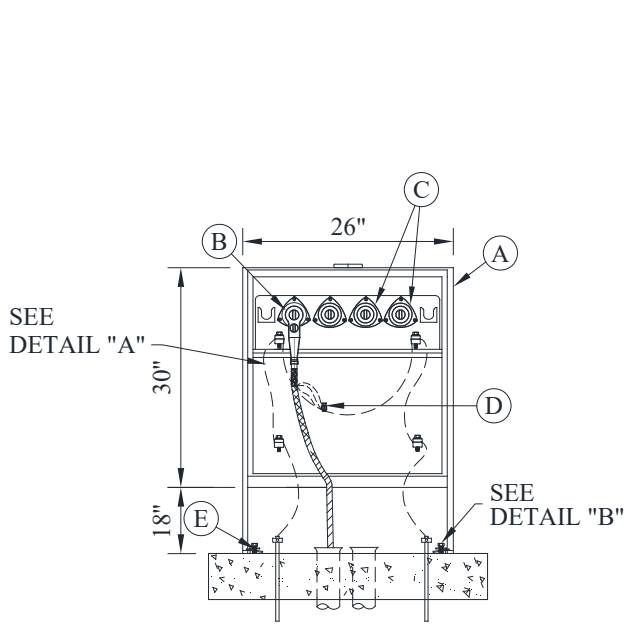
1542-01-01

SECTIONALIZING CABINET IS PRE-INSTALLED WITH BASE SPACER



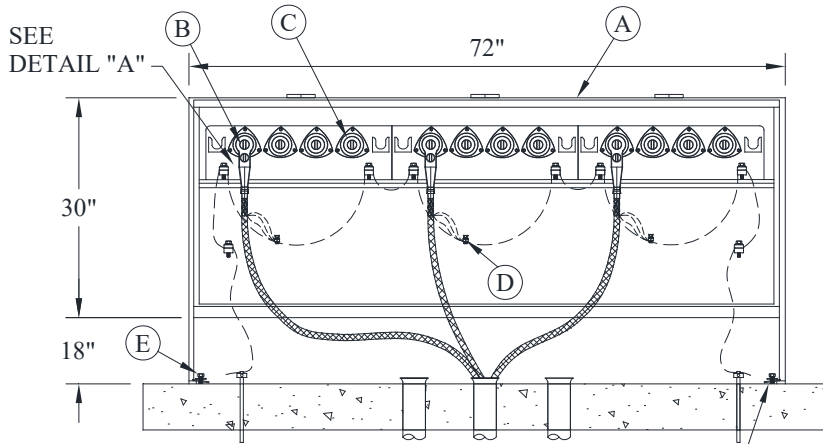
1542-01-03



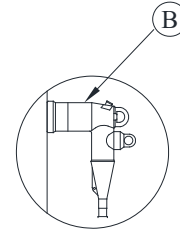


1542-03-01

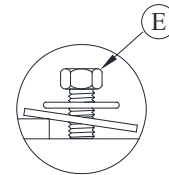
SECTIONALIZING CABINET IS PRE-INSTALLED WITH BASE SPACER



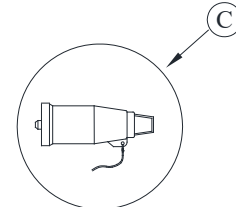
1542-03-03



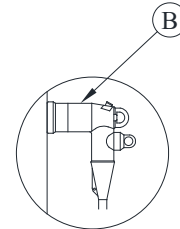
DETAIL "A"  
ITEMS B & C WILL VARY  
IN QTY BASED ON USE



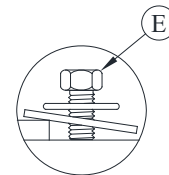
DETAIL "B"




DETAIL "C"



DETAIL "A"



DETAIL "B"

	<b>UNDERGROUND APPARATUS</b> <b>SECTIONALIZING CABINET</b>	<b>1542-03</b>
	<b>SECTIONALIZING CABINET LD BREAK 15KV ASSEMBLY</b>	Sheet 2 of 2
Rev: 07/01/20		

**MU**

<b>MU-ID</b>	<b>MU-REF</b>	<b>MU-DESCRIPTION</b>
--------------	---------------	-----------------------

SECCABASSY1PH15KV	15420301	SECTIONALIZING CABINET ASSEMBLY 1PH 15KV
-------------------	----------	--

ID	CU-REF	CU-DESC	QTY	MU-REF
A	15420101	SECTIONALIZING CABINET W/LD BK 1PH 15KV	1	15420301
B	15021502	ELBOW LOADBREAK 200 AMP 1/0 AWG AL 15KV	3	15420301
C	15020910	BUSHING CAP 15KV	2	15420301
D	12450413	CONN SPLIT BOLT 2 STRD CU	4	15420301
E	15020201	ANCH HARDWARE FOR CIP PADS	4	15420301

SECCABASSY3PH15KV	15420303	SECTIONALIZING CABINET ASSEMBLY 3PH 15KV
-------------------	----------	--

ID	CU-REF	CU-DESC	QTY	MU-REF
A	15420103	SECTIONALIZING CABINET W/LD BK 3PH 15KV	1	15420303
B	15021502	ELBOW LOADBREAK 200 AMP 1/0 AWG AL 15KV	9	15420303
C	15020910	BUSHING CAP 15KV	6	15420303
D	12450413	CONN SPLIT BOLT 2 STRD CU	12	15420303
E	15020201	ANCH HARDWARE FOR CIP PADS	6	15420303